

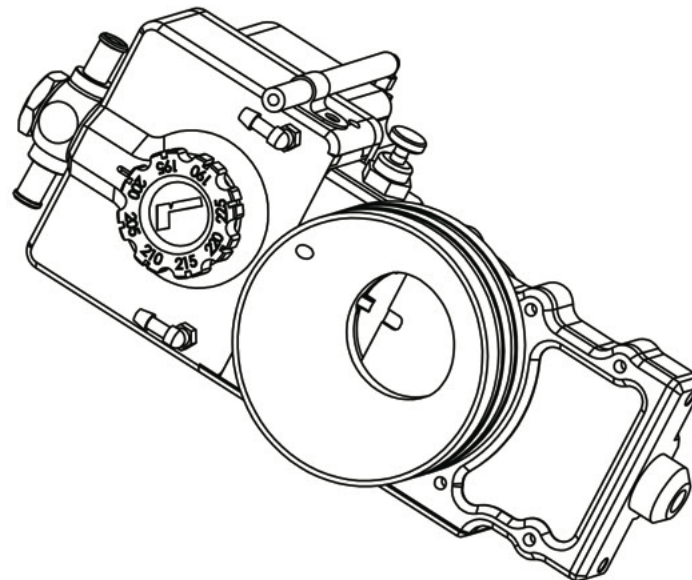
**Revolver** is the first ever carburetor in the market that allow you to select the main jet instantly without stop the engine; during training or between the 90" before the start your mechanic can select different calibration and you can test it immediately.

This is a real game changer!

The Revolver rotating system contains 8 calibrated jets from 1.90 up to 2.25 in step of 0.05 mm. The design, the materials and the coating are chosen to ensure low friction and stable calibration over time.

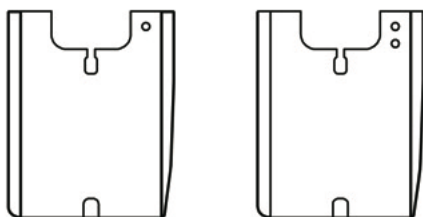
After use please make sure to empty the bowl from methanol to avoid oxidation, than eventually clean all components.

Before storage spray any kind of penetrating fluid for lubrication on the float valve, on the arm, on the Revolver through the atomizer and on the slide.



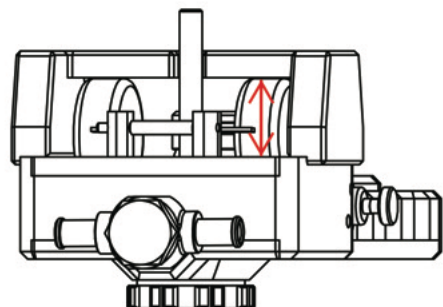
### **Factory adjustment and Setting:**

To make sure you are able to find your favourite set up we offer dedicated tools for the float level cod. R045 and for the needle calibration cod. R043



### **Slide:**

° soft response, slippery condition  
°° responsive engine, grippy track

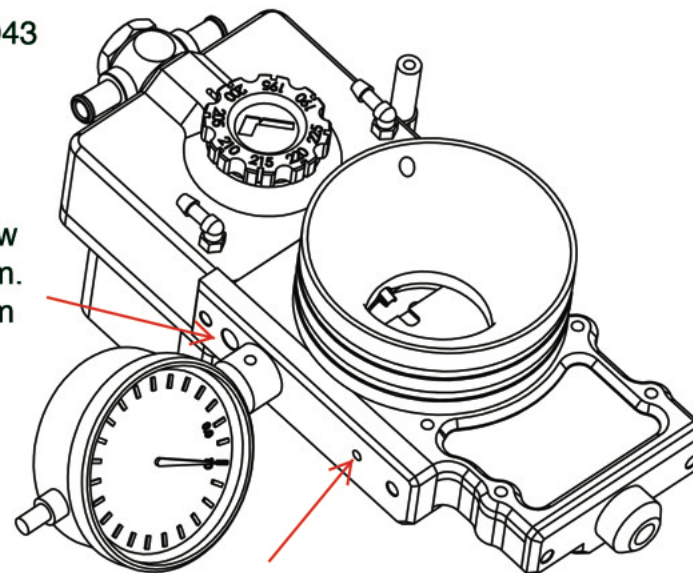


### **Float level:**

To get the right position gently fold up/down the metal tab  
- rich 19 mm = on level pipe the methal will be 2,3 mm over the gasket  
- poor 21 mm = on level pipe the methanol will be on the gasket or 1 mm over it.

### **Needle calibration:**

Slightly screw/unscrew M4 adjuster of the arm. Correct axial play from 0.07 to 0.15 mm. std 0.11mm



**Radial play limit** for the complete arm: 0.04 mm

- 1) bring to 0.01 the axial play of the needle
- 2) gently screw the M4 adjuster over the bearing
- 3) check the clearance